

# **SINGER**

## **167W100**

# INSTRUCTIONS FOR OILING

---

To insure easy running and prevent unnecessary wear of the parts which are in movable contact, the machine requires oiling, and when in continuous use, "TYPE B" or "TYPE D" OIL, sold by Singer Sewing Machine Company, should be applied at least twice each day to all oiling points, as instructed in Form 3134w.

"TYPE D" OIL should be used when an oil is desired which will produce a minimum of stain on fabrics, even after a long period of storage.

The small felt pads on the side of each bobbin case should be kept wet with oil to lubricate the hook races.

## INDEX

Accessories.....	17
Bobbin Winder.....	17
Knee Lifter.....	18
Machine No. 167w100.....	5
Miscellaneous Parts.....	20
Numerical List of Parts.....	21
Strip Reel.....	19
Thread Unwinder.....	19

From the library of: Diamond Needle Corp

## INSTRUCTIONS FOR ORDERING

In ordering from this list, use ONLY the PART number in the FIRST column.

The number stamped on a Sewing Machine Part is the number of the Single Part only, except when the part includes Set Screws, Clamping Screws, Studs and Rollers Spun on, Small Wires riveted, or Parts soldered together, etc., which it is necessary to furnish in combination.

Every combination of parts sent out has its specific number which, although not stamped on Parts (except in above case), must be used when ordering the combination.

Each number always indicates the SAME PART in whatever list it appears, or for whatever Machine.

The letters after some of the numbers indicate the style of finish only, as follows:

- A—Hardened, Polished, Nickel Plated and Buffed.
- AL—Heat Treated for Toughness.
- ALX—Heat Treated for Toughness and Black Oxide.
- B—Polished, Nickel Plated and Buffed.
- C—Hardened only.
- D—Polished only.
- E—Soft, Not polished.
- F—Hardened and Polished.
- J—Nickel Plated only.
- R—Merlized.
- X—Black Oxide, for Iron and Steel.
- XC—Hardened and Black Oxide, for Iron and Steel.
- Y—Black Nickel Plated only.
- Z—Chromium Plated.

These letters MUST BE USED when they appear in the list and AFTER the number, as in the list.

In this series

1 to 1500, 200001 to 201500 and 350001 to 351500 are Screw Numbers.

1501 to 1800, 201501 to 201800 and 351501 to 351800 are Nut Numbers.

1801 to 2000, 201801 to 202000 and 351801 to 352000 are Roller Numbers.

2001 to 50000 and 202001 to 350000 are Numbers of Machine Parts.

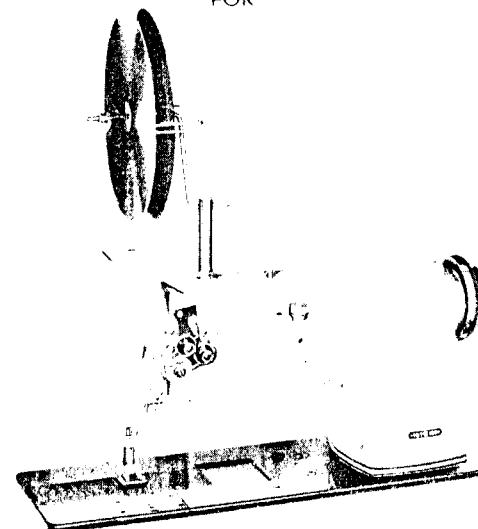
The figures in the second column refer only to the plate in which the illustration of the part is shown and are NOT TO BE USED in ordering.

Two or more numbers over a cut indicate that the difference between such parts is not visible in an illustration.

Parts marked with an asterisk (\*) are furnished only when repairs are made at the factory.

## LIST OF PARTS COMPLETE

FOR



### MACHINE No. 167w100

TWO NEEDLE. ZIGZAG.

LONG ARM. LOCK STITCH.

DROP FEED. LINK TAKE-UP.

Needles and Hooks Vibrate in Unison Both Sides of a Center Line. For Zigzag Stitching on Corsets, Underwear, Sails and Articles Requiring Two Parallel Rows of Zigzag Stitching. The Width of Zigzag Stitching is Limited to  $\frac{3}{32}$  in., in  $\frac{1}{4}$  in. Gauge;  $\frac{1}{8}$  in., in  $\frac{9}{32}$  in. Gauge and  $\frac{5}{32}$  in., in Wider Gauges. Made in Gauges from  $\frac{1}{4}$  to 1 inch.

No.	Plate	Name
*265601	-----	Arm
265602	19101	" Cover
200048F	19101	" " Screw (2)
204235	19105	" Position Pin (2)
200004E	19105	" Screw (3)
202005	19105	" " Washer (3)
265603	19101	" Shaft with 224392 and 350431E
270004	19101	" " Ball Bearing (back)
265604	19101	" " Bushing (center)
265605	19101	" " " 265604 with 265608
207080	19101	" " " (front) with 202244
202244	19101	" " " Oil Packing

(wick)

No.	Plate	Name
200327C	19101	Arm Shaft Bushing Set Screw (2)
224104	19101	" " Connection Belt Pulley (hook driving) with 200327C, 200602C and two 202253
200602C	19101	Arm Shaft Connection Belt Pulley (hook driving) Position Screw
200327C	19101	Arm Shaft Connection Belt Pulley (hook driving) Set Screw
202253	19101	Arm Shaft Connection Belt Pulley (hook driving) Spring Flange
265606	19101	Arm Shaft Connection Belt Pulley (hook vibrating) with 202324 and two 200378C
265607	19101	Arm Shaft Connection Belt Pulley (hook vibrating) Flange
200378C	19101	Arm Shaft Connection Belt Pulley (hook vibrating) Set Screw
202324	19101	Arm Shaft Connection Belt Pulley (hook vibrating) Spring Flange
265608	19101	Arm Shaft Needle Bearing (center)
265609	19101	" " " " Collar with two 200378C
200378C	19101	Arm Shaft Needle Bearing Collar Set Screw
224392	19101	Arm Shaft Oil Packing (wick)
350431E	19101	" " " " Stop Screw
224144	19105	Attachment Slide Plate with 213479 and 236061
236061	19105	Attachment Slide Plate Friction Slide
213479	19105	" " " " " " Spring
*265610	-----	Bed with 203376
202258	19105	" Hinge Connection (2)
200570E	19105	" " " " Screw (4)
54897	19108	" Oil Cup (6)
265611	19105	" Slide (back)
223811	19105	" " " " Stop
223812	19105	" " " " Spring
265612	19105	" " (front) for use with Throat Plates in gauges from 1/4 to 5/8 inch
265613	19105	Bed Slide (front) for use with Throat Plates in gauges from 21/32 to 1 inch
233939	19111	Bobbin (2)
235769	19111	" Case Base with 202056, 203211 to 203213 and 203216
203211	19111	Bobbin Case Base Latch
*202056	-----	" " " " Pin
203212	19111	" " " " Plunger
203213	19111	" " " " Spring
241676	19111	" " Cap with 200594C, 200984C, 235771, 241674, 241675 and two 350405C
241674	19111	Bobbin Case Oiling Felt
241675	19111	" " " " Retainer
350405C	19111	" " " " " Screw

No.	Plate	Name
248404	19113	Bobbin Case Opener
224005	19113	" " " Lever with 201349C, 201542C and 203101
201349C	19113	Bobbin Case Opener Lever Driving Screw Stud
201542C	19113	Bobbin Case Opener Lever Driving Screw Stud Nut
203101	19113	Bobbin Case Opener Lever Driving Screw Stud Oil Packing (wick)
265088	19113	Bobbin Case Opener Lever Hinge Stud with 202277
202277	19113	Bobbin Case Opener Lever Hinge Stud Oil Packing (wick)
200364C	19113	Bobbin Case Opener Lever Hinge Stud Set Screw
248405	19113	Bobbin Case Opener Lever Link
200118D	19113	" " " " Screw
265719	19113	" " " Stop
200567X	19113	" " " " Screw
235771	19111	" " " Tension Spring
200984C	19111	" " " " " Regulating Screw
200594C	19111	Bobbin Case Tension Spring Screw
203216	19111	" " Washer (cloth)
241677	19111	Bobbin Case complete, Nos. 235769 and 241676
265618	19105	Face Plate with 268033
267177	19105	" " Hinge Pin
200389C	19105	" " " " Set Screw
265619	19105	" " Lock Spring
268197	19105	" " " " Plate
200571XC	19105	" " " " Screw (2)
268033	19105	" " " Stud
248406	19110	Feed Bar with 200336E and 201535E
265718	19110	" " 248406 with 224052, 225837 and 350594C
265620	19110	Feed Bar Crank with two 200354C
200354C	19110	" " " Set Screw
200641C	19110	" " Hinge Screw (driving)
201518E	19110	" " " " Nut
265621	19115	" Dog, for 265731 and 265739
265622	19115	" " " 265732
265623	19115	" " " 265733
265624	19115	" " " 265734
265625	19115	" " " 265735
265626	19115	" " " 265736
265627	19115	" " " 265737
265628	19115	" " " 265738
200106E	19115	" " Screw (2)
200336E	19110	" " Support Screw
201535E	19110	" " " " Nut
265637	19110	" Driving Connection
265638	19110	" " " 265637 with 265751
270015	19110	" " " Crank with 200040E
200040E	19110	" " " " Pinch Screw
200545E	19110	" " " Hinge Screw
201522E	19110	" " " " " Nut
265751	19110	" " " Needle Bearing

No.	Plate	Name
265639	19109	Feed Driving Connection Thrust Washer
270017	19109	" " Eccentric
270018	19109	" " " Adjusting Disc
270137	19109	" " " " " Spring
248416	19109	" " " " " "
		Collar with two 200382C
200382C	19109	Feed Driving Eccentric Adjusting Disc Spring Collar Position Screw
240231	19109	Feed Driving Eccentric Friction Gib
350578XC	19109	" " " " " "
		Adjusting Screw
350562XC	19109	Feed Driving Eccentric Friction Gib Adjusting Screw Set Screw
265641	19109	Feed Driving Eccentric Regulating Stud
240245	19109	" " " " " "
		Retaining Spring
265642	19109	Feed Driving Eccentric Regulating Stud Socket
270026	19109	Feed Driving Eccentric Regulating Stud Spring
265643	19109	Feed Driving Flange with 200333C, 200346C, two each 350562XC and 350578XC
200333C	19109	Feed Driving Flange Position Screw
200346C	19109	" " " Set Screw
265644	19110	" " Rock Shaft
265645	19110	" " " " Bushing (left)
350525X	19110	" " " " " " Oil
		Stop Screw
267004	19110	Feed Driving Rock Shaft Bushing (left) Oil Stop Screw Gasket
265646	19110	Feed Driving Rock Shaft Bushing (right)
200335C	19110	" " " " " Set Screw (2)
203244	19110	Feed Driving Rock Shaft Collar with two 200393C
200393C	19110	Feed Driving Rock Shaft Collar Set Screw
265647	19109	Feed Lifting Eccentric with 201220C
224052	19110	" " " Fork with 200173D and 223655
350594C	19110	Feed Lifting Eccentric Fork Screw
225837	19110	" " " " " "
		Washer
223655	19110	Feed Lifting Eccentric Oiling Felt
200173D	19110	" " " " " Screw
201220C	19109	" " " Set Screw
*224016	-----	Hook (sewing)
224017	19111	" 224016 with 203525, 224025, two each 200590X and 201253F
265720	19111	Hook and Bobbin Case complete, Nos. 224017 and 241677
224019	19113	Hook Bushing (lower) (bronze)
200364C	19113	" " " Set Screw
224020	19113	" " (upper) (bronze)
200446C	19113	" " " Position Screw
267188	19109	" Driving Gear (spiral) with 200382C and 201220C (2)
201220C	19109	Hook Driving Gear Position Screw

No.	Plate	Name
200382C	19109	Hook Driving Gear Set Screw
224021	19113	" " Pinion (spiral) with two 200382C
200382C	19113	Hook Driving Pinion Set Screw
224022	19113	" " " Thrust Washer
265651	19109	" " " Shaft (back)
270032	19109	" " " " Ball Bearing
265652	19109	" " " (front)
265653	19108	" " " " Ball Bearing
265654	19108	" " " " " Collar with 200378C and 201220C
265655	19108	Hook Driving Shaft (front) Ball Bearing Collar 265654 with 265653
201220C	19108	Hook Driving Shaft (front) Ball Bearing Collar Position Screw
200378C	19108	Hook Driving Shaft (front) Ball Bearing Collar Set Screw
265656	19108	Hook Driving Shaft (front) Ball Bearing Retaining Plate
200541E	19108	Hook Driving Shaft (front) Ball Bearing Retaining Plate Screw (2)
224195	19109	Hook Driving Shaft Connection Belt (reinforced neoprene)
265657	19109	Hook Driving Shaft Connection Belt Pulley with 200070C, 202253 and 350576C
350576C	19109	Hook Driving Shaft Connection Belt Pulley Position Screw
200070C	19109	Hook Driving Shaft Connection Belt Pulley Set Screw
202253	19109	Hook Driving Shaft Connection Belt Pulley Spring Flange
265658	19109	Hook Driving Shaft Coupling (back) with 200382C and 201220C
201220C	19109	Hook Driving Shaft Coupling (back) Position Screw
200382C	19109	Hook Driving Shaft Coupling (back) Set Screw
265659	19109	Hook Driving Shaft Coupling (front) with 200378C and 200442C
200442C	19109	Hook Driving Shaft Coupling (front) Position Screw
200378C	19109	Hook Driving Shaft Coupling (front) Set Screw
202244	19109	Hook Driving Shaft Oiling Wick

No.	Plate	Name
203525	19111	Hook Gib
201253F	19111	" " Screw
265660	19113	" Saddle (left) with two 350175E
265661	19113	" " 265660 with 200446C, 224019, 224020 and two 200364C
265662	19114	Hook Saddle (right) with two 350175E
265663	19114	" " 265662 with 200446C, 224019, 224020 and two 200364C
350175E	19113	Hook Saddle Pinch Screw
265664	19108	" " Shaft (hollow)
202244	19108	" " " Oiling Wick (2)
265665	19109	" " Support (2)
200335C	19109	" " Set Screw (2)
265666	19113	Hook Saddle (left) complete, Nos. 200118D, 224005, 224021, 224022, 248404, 248405, 265088, 265661, 265686, 265719, 265720, two each 200186X and 200567X
265667	19114	Hook Saddle (right) complete, Nos. 200118D, 224005, 224021, 224022, 248404, 248405, 265088, 265663, 265686, 265719, 265720, two each 200186X and 200567X
265668	19108	Hook Vibrating Bell Crank with two 270371
265669	19108	Hook Vibrating Bell Crank Bracket with three 200394C
200029C	19108	Hook Vibrating Bell Crank Bracket Screw (2)
265670	19108	Hook Vibrating Bell Crank Hinge Stud with 248821 (2)
248821	19108	Hook Vibrating Bell Crank Hinge Stud Oil Packing (wick)
200394C	19108	Hook Vibrating Bell Crank Hinge Stud Set Screw
270371	19108	Hook Vibrating Bell Crank Needle Bearing
265671	19108	Hook Vibrating Bell Crank Swivel
265672	19108	" " " " " "
		Retainer (2)
265721	19108	Hook Vibrating Eccentric
265673	19108	" " " Adjusting Disc
270137	19108	" " " " " "
		Spring
248416	19108	Hook Vibrating Eccentric Adjusting Disc Spring Collar with two 200382C
200382C	19108	Hook Vibrating Eccentric Adjusting Disc Spring Collar Position Screw
265674	19108	Hook Vibrating Eccentric Connection
265675	19108	" " " " "
		265674 with 265751
265676	19108	Hook Vibrating Eccentric Connection Guide Stud
200394C	19108	Hook Vibrating Eccentric Connection Guide Stud Set Screw
265751	19108	Hook Vibrating Eccentric Connection Needle Bearing

No.	Plate	Name
265677	19108	Hook Vibrating Eccentric Connection Stop Collar with 200354C and 200362C
200354C	19108	Hook Vibrating Eccentric Connection Stop Collar Position Screw
200362C	19108	Hook Vibrating Eccentric Connection Stop Collar Set Screw
240231	19108	Hook Vibrating Eccentric Friction Gib
350578XC	19108	" " " " "
		Adjusting Screw
350562XC	19108	Hook Vibrating Eccentric Friction Gib Adjusting Screw Set Screw
265641	19108	Hook Vibrating Eccentric Regulating Stud
240245	19108	Hook Vibrating Eccentric Regulating Stud Retaining Spring
265678	19108	Hook Vibrating Eccentric Regulating Stud Socket
270026	19108	Hook Vibrating Eccentric Regulating Stud Spring
270944	19108	Hook Vibrating Flange with 200333C, 200346C, two each 350562XC and 350578XC
200333C	19108	Hook Vibrating Flange Position Screw
200346C	19108	" " " Set Screw
265679	19108	" " Pitman with two 200956X
200919C	19108	" " " Hinge Screw (2)
*265680	-----	" " " " "
		Bearing
200956X	19108	Hook Vibrating Pitman Hinge Screw Pinch Screw
265681	19108	Hook Vibrating Shaft
270032	19108	" " " Ball Bearing
265682	19108	" " " Bushing with 265683
265683	19108	Hook Vibrating Shaft Bushing Oil Packing (wick)
200335C	19108	Hook Vibrating Shaft Bushing Set Screw
265715	19108	" " " Connection Belt (reinforced neoprene)
270034	19108	Hook Vibrating Shaft Connection Belt Pulley with 202253 and two 200070C
200070C	19108	Hook Vibrating Shaft Connection Belt Pulley Set Screw
202253	19108	Hook Vibrating Shaft Connection Belt Pulley Spring Flange
265684	19108	Hook Vibrating Shaft Stop Collar with two 200382C
200382C	19108	Hook Vibrating Shaft Stop Collar Set Screw
265685	19108	Hook Vibrating Yoke with 200363C, 200439C and 265680
200439C	19108	Hook Vibrating Yoke Position Screw
200363C	19108	" " " Set Screw
224025	19111	" Washer
200590X	19111	" " Screw
240067	19105	Knee Lifter Connection Lever

No.	Plate	Name
200262X	19105	Knee Lifter Connection Lever Hinge Screw
240564	19105	Knee Lifter Connection Lever Lifting Rod
206628	19105	Knee Lifter Connection Lever Lifting Rod Spring
227227	19105	Knee Lifter Connection Lever Lifting Rod Spring Collar with 200113F
200113F	19105	Knee Lifter Connection Lever Lifting Rod Spring Collar Set Screw
265716	19105	Knee Lifter Lifting Lever
200262X	19105	" " " " Hinge Screw
232131	19105	" " " " Washer
265686	19113	Loop Deflector
200186X	19113	" " Screw
265616	19101	Machine Pulley (aluminum alloy casting) for "V" belt (outside diam. of belt groove 2.9 in.) (rim diam. 4 in.) with 350540C and 350541C
265617	19101	Machine Pulley 265616 with 270004
350540C	19101	" " Position Screw
350541C	19101	" " Set Screw
265636	19103	Needle Bar
265687	19103	" " Connecting Link
241410	19103	" " " " Guide Block
241342	19103	" " " " " "
		Gib (2)
200581X	19103	Needle Bar Connecting Link Guide Block Gib Screw (4)
241344	19103	Needle Bar Connecting Link Stud with 202254
202254	19103	Needle Bar Connecting Link Stud Oil Packing (wick)
200374AL	19103	Needle Bar Connecting Link Stud Set Screw
200383C	19103	Needle Bar Connecting Link Stud Set Screw
241345	19103	Needle Bar Connecting Stud with 202277
241346	19103	" " " " 241345 with 210882
202277	19103	Needle Bar Connecting Stud Oil Packing (wick)
210882	19103	Needle Bar Connecting Stud Swivel with 200387C
241347	19103	Needle Bar Crank with 200335C, 200374AL, 200383C and 200428C
203172	19103	Needle Bar Crank Friction Washer
200428C	19103	" " " Position Screw
200335C	19103	" " " Set Screw
265688	19103	" " Frame with 200070C
241349	19103	" " " Guide Stud
200334C	19103	" " " " Set Screw
210548	19103	" " " Hinge Stud
200334C	19103	" " " " Set Screw
265689	19102	" " " Pitman with 202277
265690	19102	" " " " 265689 with 265751

No.	Plate	Name
210557	19102	Needle Bar Frame Pitman Eccentric Stud
200070C	19103	Needle Bar Frame Pitman Eccentric Stud Set Screw
265751	19102	Needle Bar Frame Pitman Needle Bearing
265717	19102	Needle Bar Frame Pitman Needle Bearing Oil Tube (brass)
202277	19102	Needle Bar Frame Pitman Oil Packing (wick)
200387C	19103	Needle Bar Set Screw
267269	19107	Needle Holder, in gauges from 1/4 to 15/32 in., in steps of 1/32 in., with two 200141F
267270	19107	Needle Holder, in gauges from 1/2 to 3/4 in., in steps of 1/32 in., with two 200141F
267271	19107	Needle Holder, in gauges from 25/32 to 1 in., in steps of 1/32 in., with two 200141F
200141F	19107	Needle Set Screw
265721	19102	" Vibrator Eccentric
265691	19102	" " " Adjusting Disc
270508	19102	" " " " " "
		Spring
265693	19102	Needle Vibrator Eccentric Cover (plate)
200566D	19102	" " " " Screw (4)
240231	19102	Needle Vibrator Eccentric Friction Gib
350578XC	19102	" " " " " "
		Adjusting Screw
350562XC	19102	Needle Vibrator Eccentric Friction Gib Adjusting Screw Set Screw
265694	19102	Needle Vibrator Eccentric Indexed Plate
200582X	19102	" " " " " "
		Screw (2)
270539	19102	Needle Vibrator Flange with 200333C, 200346C, two each 350562XC and 350578XC
200333C	19102	Needle Vibrator Flange Position Screw
200346C	19102	" " " Set Screw
210699	19102	" " Gear (spiral) with two 200382C
200382C	19102	Needle Vibrator Gear (spiral) Set Screw
203172	19102	" " " Friction Washer
265695	19102	" " " Shaft
210559	19102	" " " " Collar with two 200378C
200378C	19102	Needle Vibrator Gear Shaft Collar Set Screw
210700	19101	Needle Vibrator Pinion (spiral) with two 200382C
200382C	19101	Needle Vibrator Pinion Set Screw
265696	19102	" " Regulating Stud
264709	19102	" " " " Cap with 200364C
200364C	19102	Needle Vibrator Regulating Stud Cap Set Screw



No.	Plate	Name
265697	19102	Needle Vibrator Regulating Stud Sleeve
200386C	19102	" " " " "
		Set Screw
270026	19102	Needle Vibrator Regulating Stud Spring
265698	19102	Needle Vibrator Regulating Stud complete, Nos. 264709, 265696, 265697 and 270026
244033	19103	Presser Bar (hollow)
202335	19103	" " 244033 with 200074F
241352	19103	" " Bushing
200352C	19103	" " " Set Screw
202554	19103	" " Lifter
200653C	19103	" " " Hinge Screw
210789	19103	" " Lifting Releasing Lever
		Bracket
200260E	19103	Presser Bar Lifting Releasing Lever
		Bracket Guide Screw
206608	19103	Presser Bar Lifting Releasing Lever
		Bracket Spring
202337	19103	Presser Bar Position Guide
202338	19103	" " " " Lever with 200086F
200086F	19103	Presser Bar Position Guide Lever
		Pinch Screw
200352C	19103	Presser Bar Position Guide Set Screw
350577X	19103	" " Pressure Regulating Screw
200363C	19103	" " Regulating Screw Set Screw
244084	19103	" " " " " "
		Packing (fibre)
210758	19103	Presser Bar Spring
202346	19103	" " " Stop Rod
230795	19106	" Foot Hinge Pin
265699	19106	" " Plate
265701	19106	" " Plate
265703	19106	" " Plate
265705	19106	" " Plate
265707	19106	" " Plate
265709	19106	" " Plate
265711	19106	" " Plate
265713	19106	" " Plate
200074F	19103	" " Screw
202923	19106	" " Shank
265700	19106	Presser Foot (hinged) complete, for gauges 1/4, 9/32, 5/16 and 11/32 in., Nos. 202923, 230795 and 265699
265702	19106	Presser Foot (hinged) complete, for gauges 3/8, 13/32 and 7/16 in., Nos. 202923, 230795 and 265701
265704	19106	Presser Foot (hinged) complete, for gauges 15/32, 1/2 and 17/32 in., Nos. 202923, 230795 and 265703
265706	19106	Presser Foot (hinged) complete, for gauges 9/16, 19/32 and 5/8 in., Nos. 202923, 230795 and 265705
265708	19106	Presser Foot (hinged) complete, for gauges 21/32, 11/16 and 23/32 in., Nos. 202923, 230795 and 265707

No.	Plate	Name
265710	19106	Presser Foot (hinged) complete, for gauges 3/4, 25/32 and 13/16 in., Nos. 202923, 230795 and 265709
265712	19106	Presser Foot (hinged) complete, for gauges 27/32, 7/8 and 29/32 in., Nos. 202923, 230795 and 265711
265714	19106	Presser Foot (hinged) complete, for gauges 15/16, 31/32 and 1 in., Nos. 202923, 230795 and 265713
223881	19103	Take-up Lever
202399	19103	" " Driving Stud with 202277
202277	19103	" " " " Oil Packing (wick)
241356	19103	Take-up Lever Hinge Stud with 202423
202423	19103	" " " " Oil Packing (wick)
200383C	19103	Take-up Lever Hinge Stud Set Screw
202401	19103	" " Oiling Felt
200904E	19103	" " " " Screw
263090	19103	" " " Wick
263041	19103	" " " " 263090 with 263097
241357	19103	Take-up Lever Oiling Wick Eyelet
200904E	19103	" " " " " Screw
*263097	19103	" " " " Wire
223702	19104	Tension Bracket with two each 201224B and 236060
200159F	19104	Tension Bracket Screw
223705	19104	Tension Bracket complete, Nos. 200978X, 201199F, 223702, 223703, 223706, 237174, two each 13710, 200309E, 204271, 223704, three 201572X and four 244048
244048	19104	Tension Disc
236060	19104	" " Position Pin
223703	19104	" Release Lever
235072	19103	" " " Rod
200309E	19104	" " " Screw
223704	19104	" " Plunger
204271	19104	" " Washer
13710	19104	" Spring
201224B	19104	" Stud
201572X	19104	" Thumb Nut
223706	19104	Thread Controller Disc
200978X	19104	" " " Screw
237174	19104	" " Spring
241360	19104	" " " Stop
200132E	19104	" " " " Screw
201199F	19104	" " Stud with 204925
200061ALX	19104	" " " Set Screw
201572X	19104	" " " Thumb Nut
204925	19104	" " " Washer
210954	19104	" Guide (lower)
224028	19101	" " (top of Arm)
267246	19104	" " (upper)
200582X	19104	" " Screw (2)
267288	19104	" Retainer



No.	Plate	Name
265731	19115	Throat Plate, 50 needle hole, for needle sizes 16 and 18, for gauges 1/4 and 9/32 in., for 265621
265739	19115	Throat Plate, 50 needle hole, for needle sizes 16 and 18, for gauges 5/16 and 11/32 in., for 265621
265732	19115	Throat Plate, 50 needle hole, for needle sizes 16 and 18, for gauges 3/8, 13/32 and 7/16 in., for 265622
265733	19115	Throat Plate, 50 needle hole, for needle sizes 16 and 18, for gauges 15/32, 1/2 and 17/32 in., for 265623
265734	19115	Throat Plate, 50 needle hole, for needle sizes 16 and 18, for gauges 9/16, 19/32 and 5/8 in., for 265624
265735	19115	Throat Plate, 50 needle hole, for needle sizes 16 and 18, for gauges 21/32, 11/16 and 23/32 in., for 265625
265736	19115	Throat Plate, 50 needle hole, for needle sizes 16 and 18, for gauges 3/4, 25/32 and 13/16 in., for 265626
265737	19115	Throat Plate, 50 needle hole, for needle sizes 16 and 18, for gauges 27/32, 7/8 and 29/32 in., for 265627
265738	19115	Throat Plate, 50 needle hole, for needle sizes 16 and 18, for gauges 15/16, 31/32 and 1 in., for 265628
200161D	19115	Throat Plate Clamp Screw
203376	19115	" " Position Pin
691F	19115	" " Screw

SINGER Needles should be used  
in SINGER Machines  
These Needles and their Containers  
are marked with the  
Company's Trade Mark "SIMANCO.\*\*" 1

Needles in Containers marked  
"FOR SINGER MACHINES"  
are NOT SINGER made needles. 2

## ACCESSORIES

No.	Plate	Name
233939	19111	Bobbin (4)
228736	17850	Drip Pan with four 3/4 in. wire nails
131961	17850	Machine Base Oil Drain Jar (glass)
131962	17850	" " " " " Cap
131188	17850	" " " " " Clamp
131217	17850	" " " " " "
		131188 with 131189
131189	17850	Machine Base Oil Drain Jar Clamp Lever
1247C	17850	Machine Base Oil Drain Jar Clamp Screw
131266	17850	Machine Base Oil Drain Jar Nipple (short)
228452	17850	Machine Base Oil Drain Jar complete, Nos. 131217, 131266, 131961, 131962 and two 1247C
41400	19116	Machine Rest Pin (wood)
135x7	-----	Needles, twelve, size 16
120342	19116	Oiler (copper plated) with 120343
120343	19116	" Spout (3-1/2 in. long)
228476	19116	Screw Driver (Bobbin Case)
225498	19116	" " (7-1/4 in. long)
10875	19116	Wrench
225486	19116	Wrench
225554	19116	Wrench
240566	19116	Wrench (1/16 in. Hex)

## BOBBIN WINDER

(SWINGING AUTOMATIC, RIGHT HAND)

FOR "V" BELT DRIVE

259428	17853	Brake (leather)
259429	17853	" Clamp
200113F	17853	" " Screw
225453	17853	Frame with 202277 and 259660
225454	17853	" Hinge Pin
202277	17853	" Oil Packing (wick)
259660	17853	" " Well Washer
225455	17853	" Spring
225456	17853	" " Plunger
259461	17853	Pulley with 200380C
200380C	17853	" Set Screw
225381	17853	Spindle
225444	17853	Stop Latch
200056E	17853	" " Screw

No.	Plate	Name
225458	17853	Stop Latch Thumb Lever
225459	17853	" " " " Hinge Stud
225459	17853	" " " " Joint Stud
202478	17853	" " Trip Lever
200299X	17853	" " " " Hinge Screw
225461	17853	Tension Bracket with 201499X
200082D	17853	" " Screw
228026	17853	" " Washer
2102	17853	" Disc
13710	17853	" Spring
201499X	17853	" Stud
201572X	17853	" Thumb Nut
225462	17853	Bobbin Winder Tension Bracket complete, Nos. 13710, 201572X, 225461 and two 2102
259662	17853	Bobbin Winder and Tension Bracket Base
259462	17853	Universal Bobbin Winder complete, Nos. 200056E, 200082D, 200113F, 200299X, 202478, 225381, 225444, 225453 to 225456, 225458, 225462, 228026, 259428, 259429, 259461, 259662, two each 225459 and wood screws 3/4 in., No. 12, R. H. B.

Note: Bobbin Winder 259462 is furnished with this machine unless Bobbin Winder 259431 is specified on order.

### KNEE LIFTER

228752	17837	Rock Lever with two 350231C
228707	17837	" " Bracket with 200347AL and three wood screws 7/8 in., No. 12
228751	17837	Rock Lever Bracket 228707 with 228363, 228367, 228386, 228455 and 228752
228370	17837	Rock Lever Extension with 200530C
350231C	17837	" " " Set Screw
228363	17837	" " Hinge Pin
228364	17837	" " Knee Plate with 350231C
228318	17837	" " " Arm
350231C	17837	" " " " Set Screw
350231C	17837	" " " " Set Screw
228455	17837	" " Position Spring
228365	17837	" " Rod
200530C	17837	" " Set Screw
228386	17837	" " Spring
228367	17837	" " Stop Stud
200347AL	17837	" " " " Set Screw
228754	17837	Knee Lifter Rock Lever complete, Nos. 228318, 228364, 228365, 228370 and 228751

(Other Knee Lifter Parts are listed with parts of Machine Head)

### STRIP REEL

No.	Plate	Name
226198	19117	Strip Reel Disc (9 in. diam.) with 225980
225980	19117	" " " Base
247475	19117	" " " Rod (lower) with Strip Guide
227116	19117	Strip Reel Disc Rod Collar
227210	19117	" " " " " 227116 with 200731E and 227327
200731E	19117	Strip Reel Disc Rod Collar Wing Screw
227327	19117	" " " " Tension Spring (spiral)
200530C	19117	Tape Holder Rod Set Screw
226934	19117	" " Standard with 200530C
201701C	19117	" " " Check Nut
247476	19117	Strip Reel complete, Nos. 201701C, 226934, 227210, 247475 and two 226198

### THREAD UNWINDER

(FOR THREE SPOOLS)

228692	16257	Spool Pin
201528X	16257	" " Nut
228693	16257	" " Washer
225259	16257	" Rest (for one spool) (flat) with 201018C, 201528X, 228692 and 228693
225257	16257	Spool Rest (for two spools) (flat) with 201018C, two each 201528X, 228692 and 228693
150203	16257	Spool Rest Cushion (felt)
225388	16257	" " Rod
200383C	16257	" " " Set Screw
201018C	16257	" " Set Screw
259658	16257	" Stand with 200383C
225391	16257	Thread Guide
201696X	16257	" " Lock Nut
225326	16257	" " Position Cup
225324	16257	" " Rod with 208AL and 225322
208AL	16257	" " " Screw
225322	16257	" " " Washer
259143	16257	Thread Unwinder (for three spools) complete, Nos. 201696X, 225257, 225259, 225324, 225326, 225388, 259658, three each 150203, 225391, and wood screws 7/8 in., No. 12

## MISCELLANEOUS PARTS

USED IN CONJUNCTION WITH  
THREAD UNWINDER

No.	Plate	Name
60913	16257	Spool Weight with 60914
60914	16257	" " Center Pin
225377	16257	" Wire (for small spools)
27739	16257	Thread Cone (wood)
225390	16257	" " Holder

SINGER Needles should be used  
in SINGER Machines  
These Needles and their Containers  
are marked with the  
Company's Trade Mark "SIMANCO.\*\*" 1

Needles in Containers marked  
"FOR SINGER MACHINES"  
are NOT SINGER made needles. 2

## NUMERICAL LIST OF PARTS

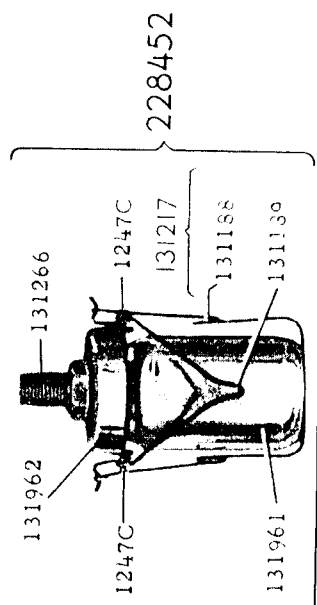
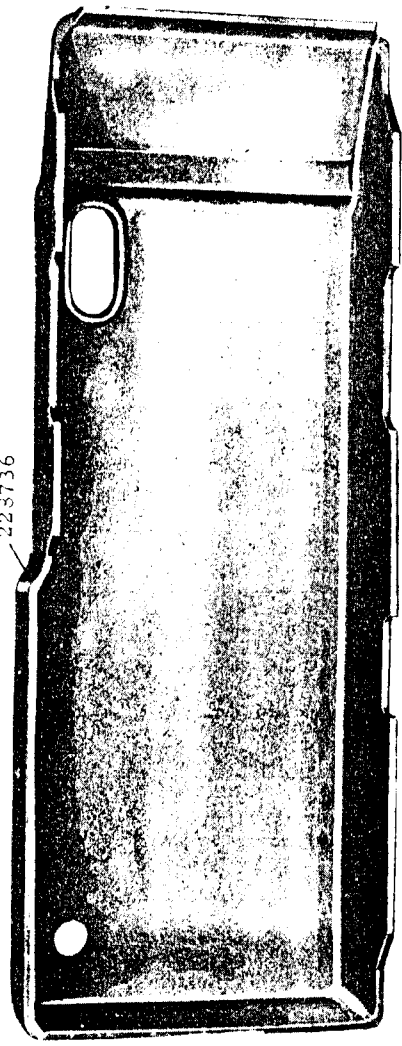
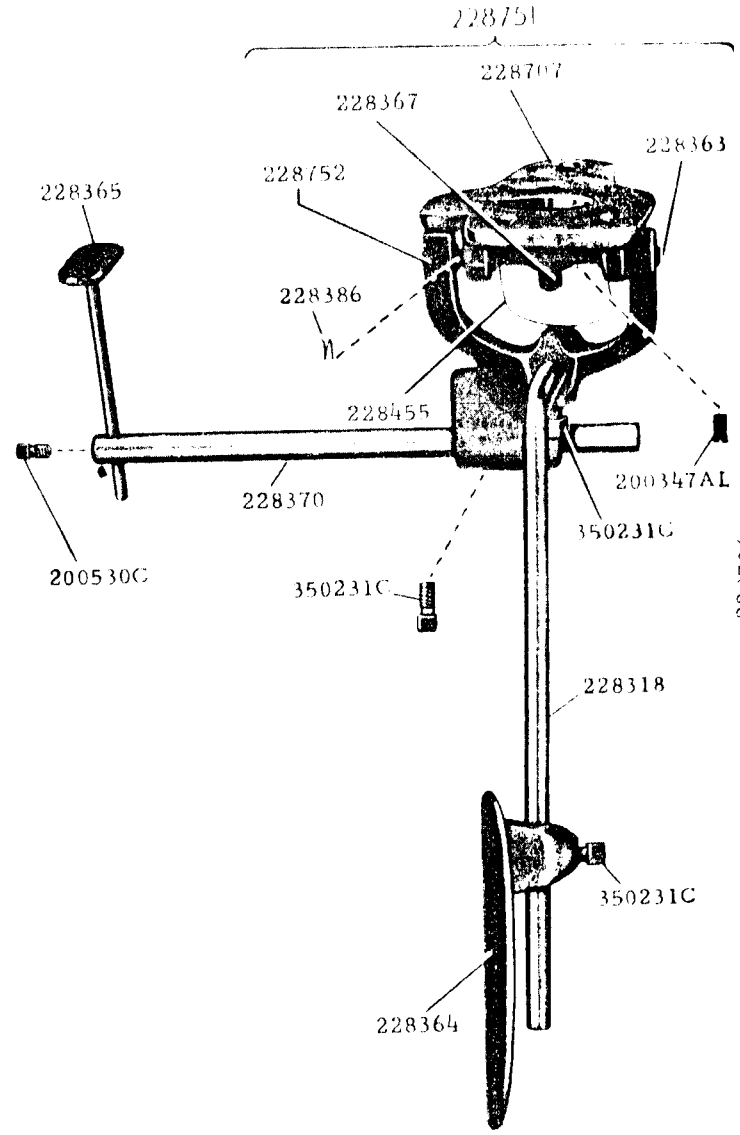
No.	Plate	Name
208AL	16257	Thread Unwinder Thread Guide Rod Screw, for 225324
691F	19115	Throat Plate Screw
1247C	17850	Machine Base Oil Drain Jar Clamp Screw, for 228452
2102	17853	Bobbin Winder Tension Disc, for 225462
10875	19116	Wrench
13710	17853	Bobbin Winder Tension Spring, for 225462
13710	19104	Tension Spring, for 223705
27739	16257	Thread Unwinder Thread Cone (wood)
41400	19116	Machine Rest Pin (wood)
54897	19108	Bed Oil Cup
60913	16257	Thread Unwinder Spool Weight with 60914
60914	16257	Thread Unwinder Spool Weight Center Pin, for 60913
120342	19116	Oiler (copper plated) with 120343
120343	19116	" Spout (3-1/2 in. long) for 120342
131188	17850	Machine Base Oil Drain Jar Clamp, for 131217
131189	17850	Machine Base Oil Drain Jar Clamp Lever, for 131217
131217	17850	Machine Base Oil Drain Jar Clamp 131188 with 131189, for 228452
131266	17850	Machine Base Oil Drain Jar Nipple (short) for 228452
131961	17850	Machine Base Oil Drain Jar (glass) for 228452
131962	17850	Machine Base Oil Drain Jar Cap, for 228452
150203	16257	Thread Unwinder Spool Rest Cushion (felt) for 259143
200004E	19105	Arm Screw
200029C	19108	Hook Vibrating Bell Crank Bracket Screw
200040E	19110	Feed Driving Connection Crank Pinch Screw, for 270015
200048F	19101	Arm Cover Screw
200056E	17853	Bobbin Winder Stop Latch Screw, for 259462
200061ALX	19104	Thread Controller Stud Set Screw
200070C	19109	Hook Driving Shaft Connection Belt Pulley Set Screw, for 265657
200070C	19108	Hook Vibrating Shaft Connection Belt Pulley Set Screw, for 270034
200070C	19103	Needle Bar Frame Pitman Eccentric Stud Set Screw, for 265688
200074F	19103	Presser Foot Screw, for 202335
200082D	17853	Bobbin Winder Tension Bracket Screw, for 259462



17837-3/8

17850-1/4

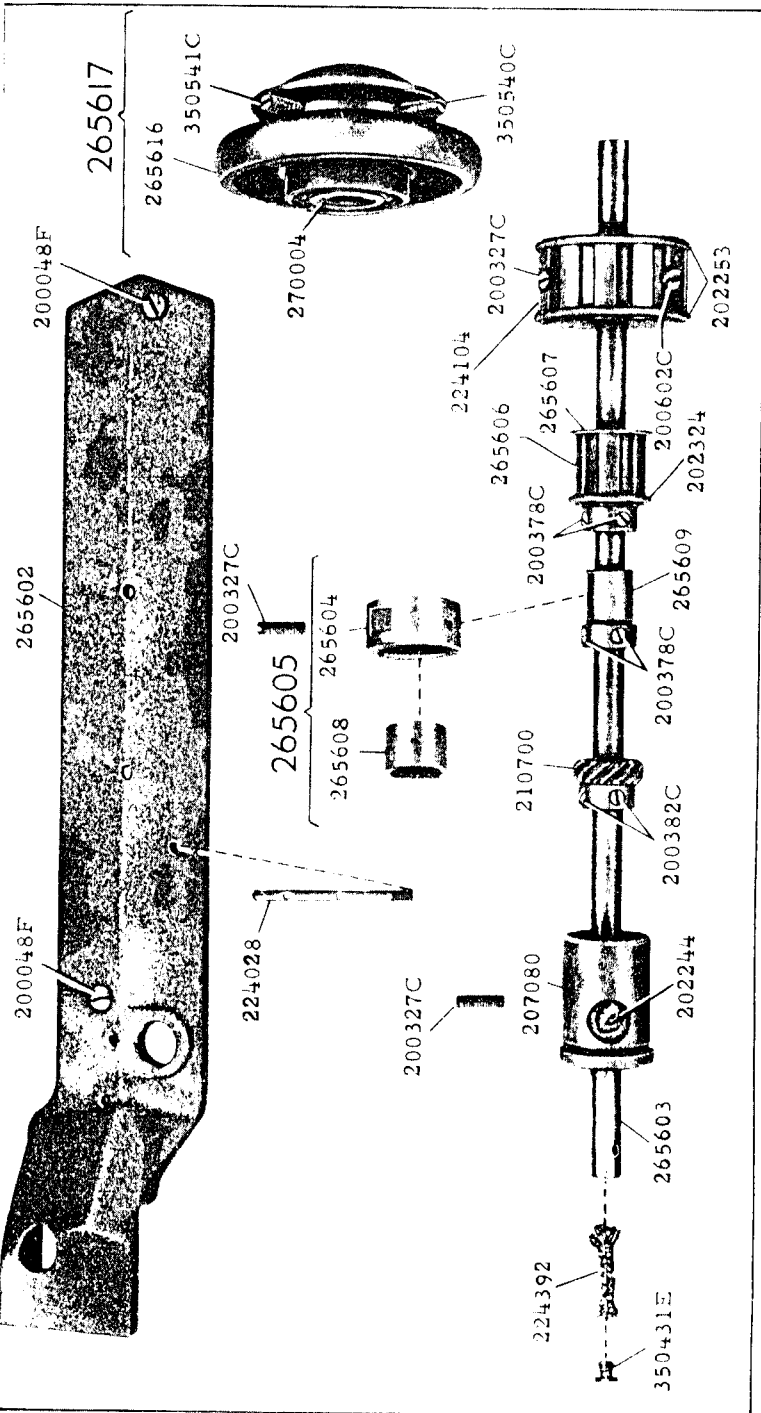
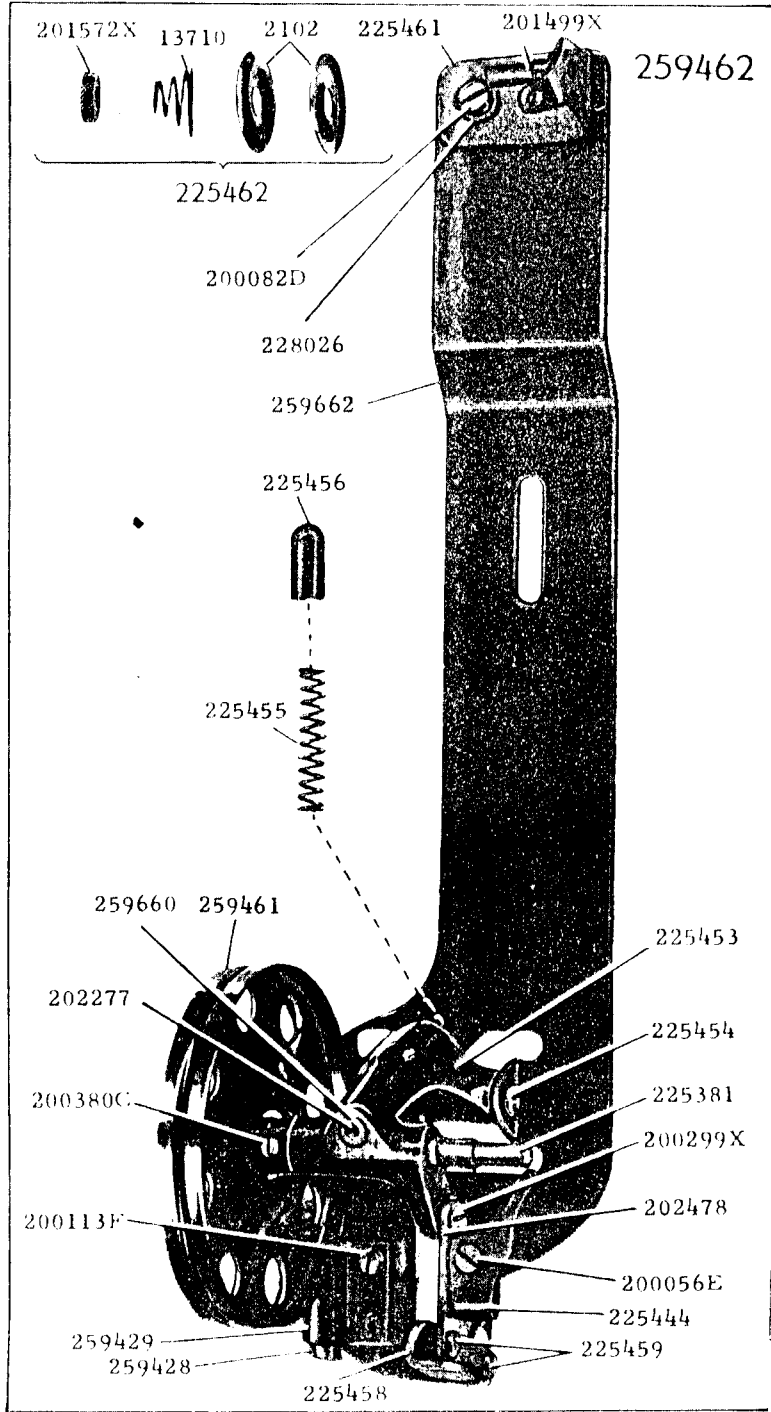
228754



From the library of: Diamond Needle Corp

17853 - 1/2

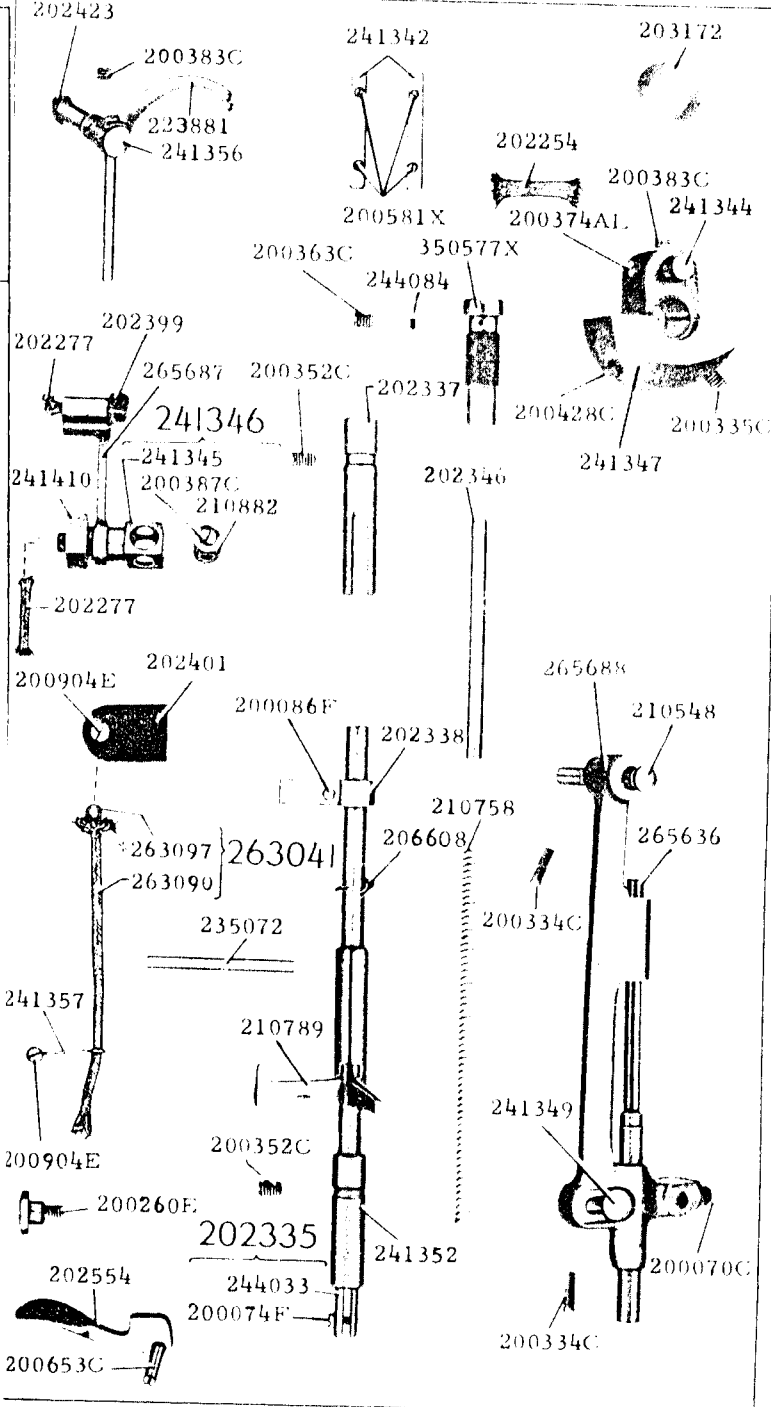
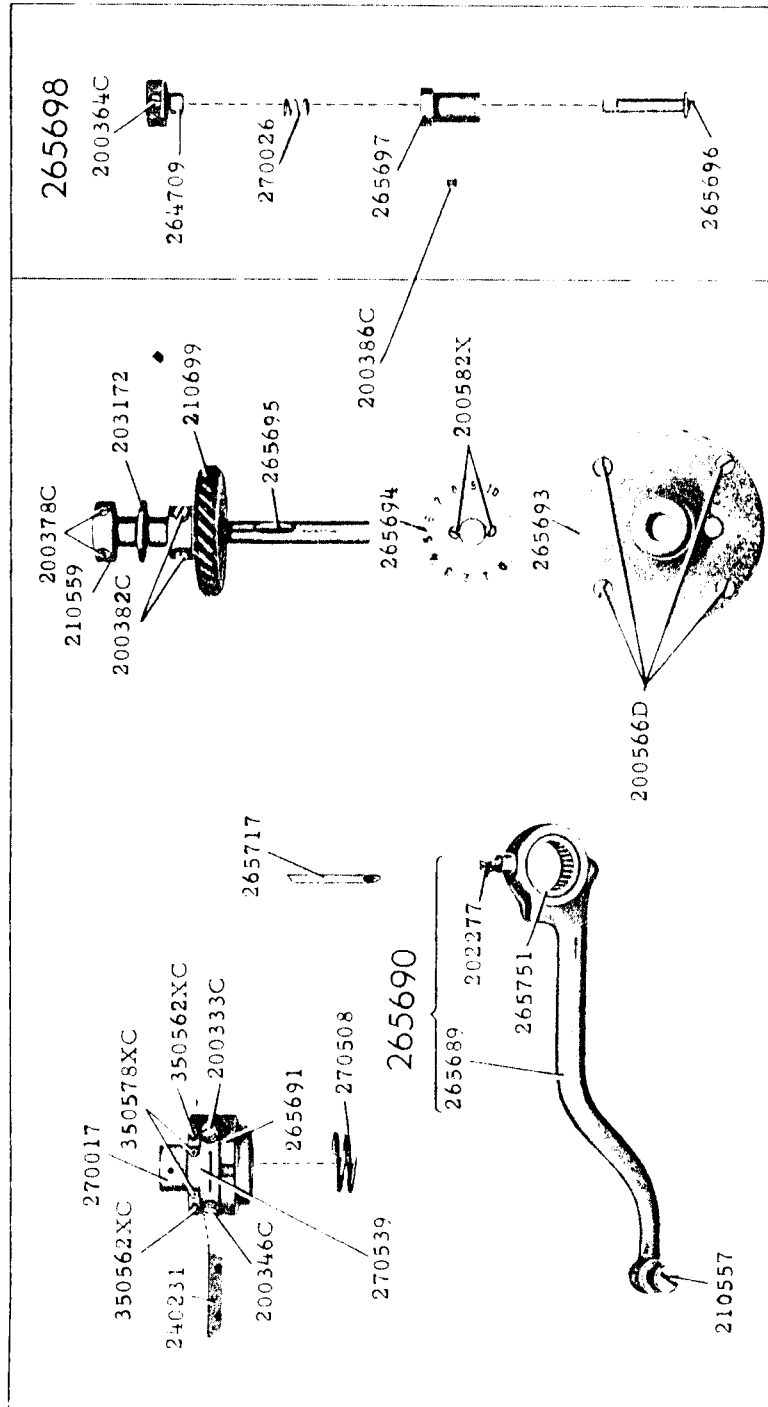
19101 - 1/3



From the library of: Diamond Needle Corp

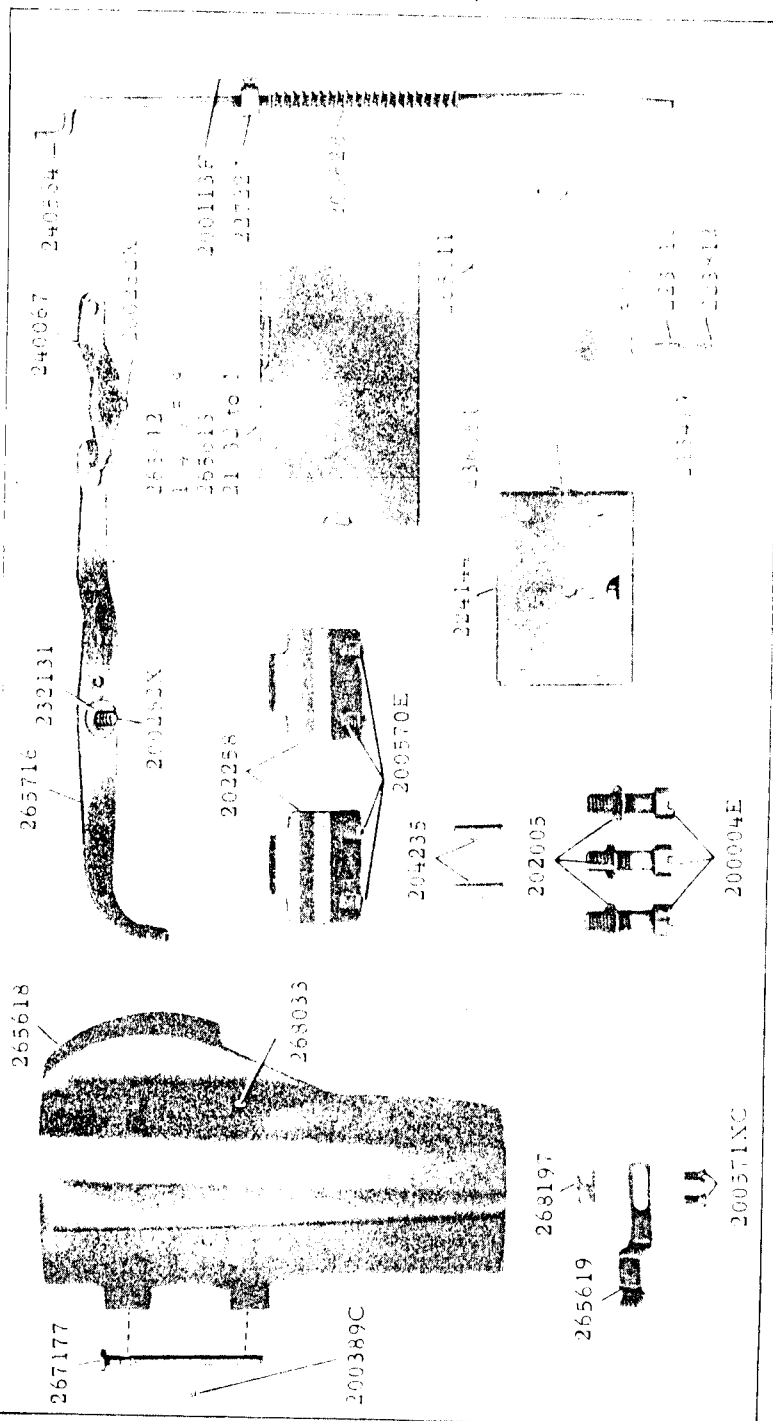
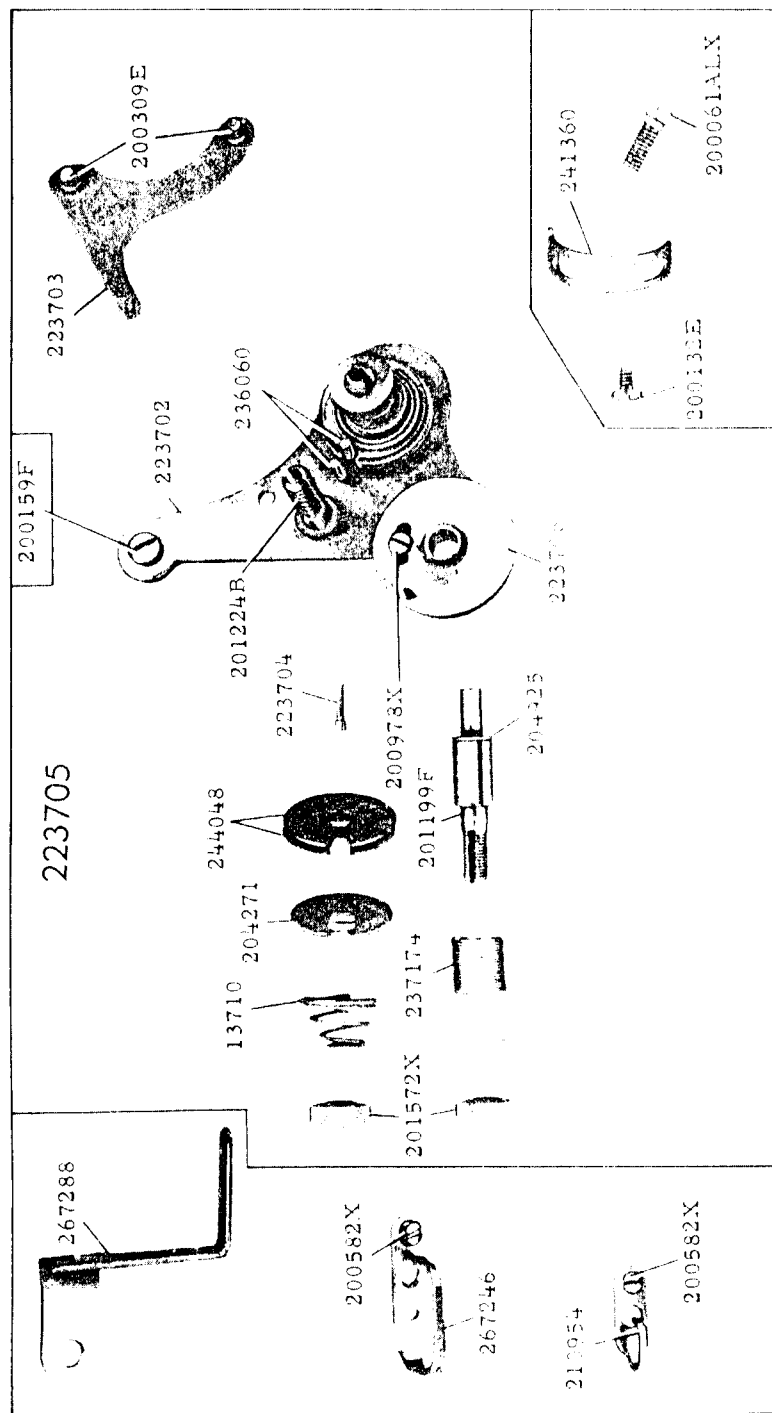
19102 - 1/3

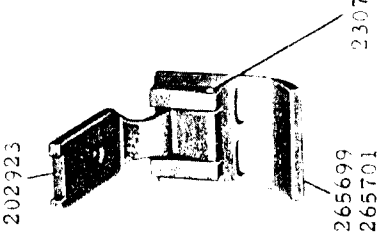
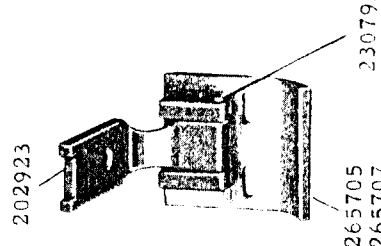
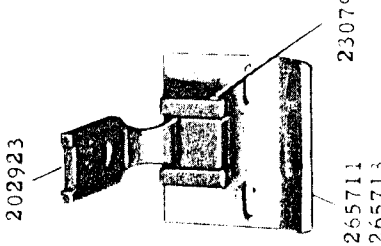
19103 - 3/8

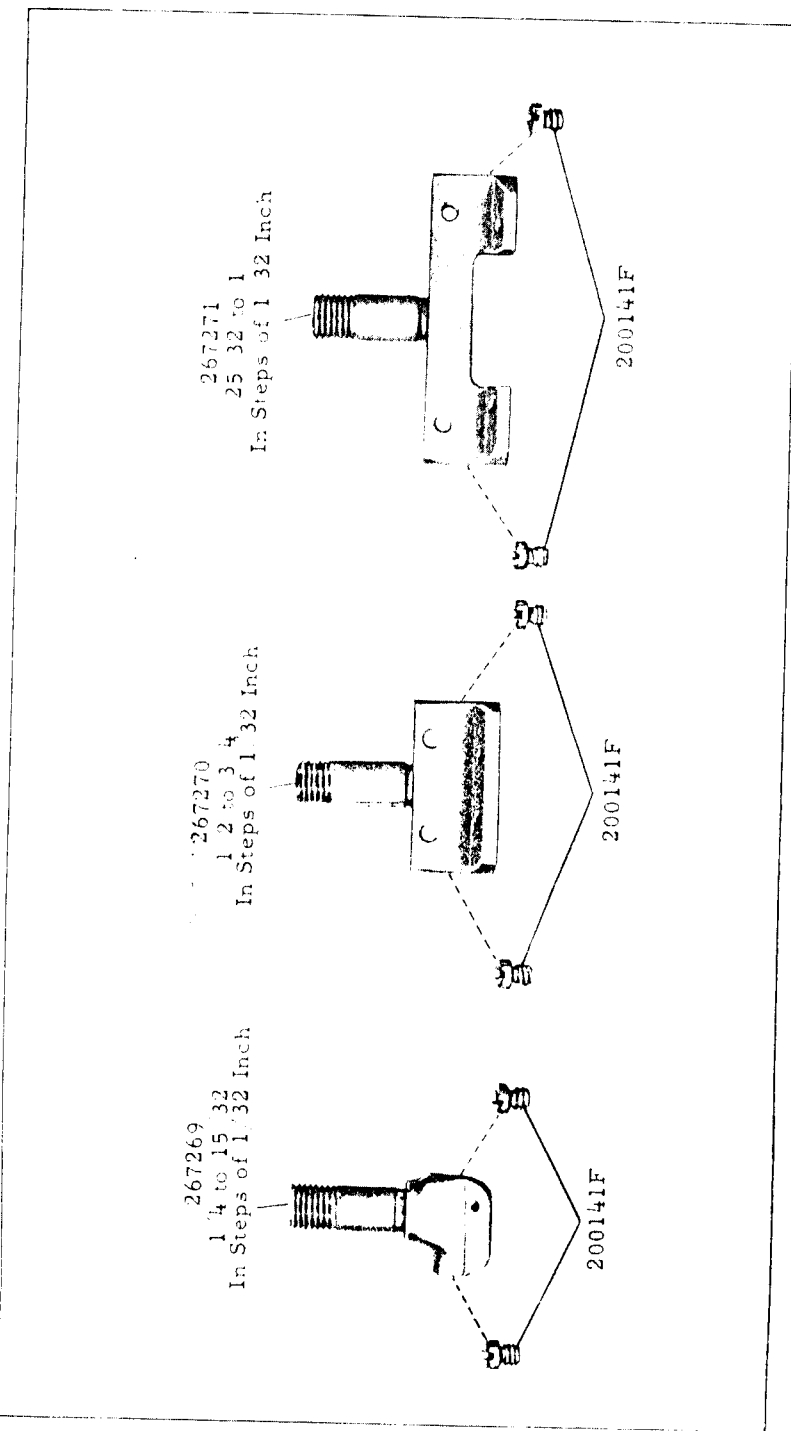


From the library of: Diamond Needle Corp



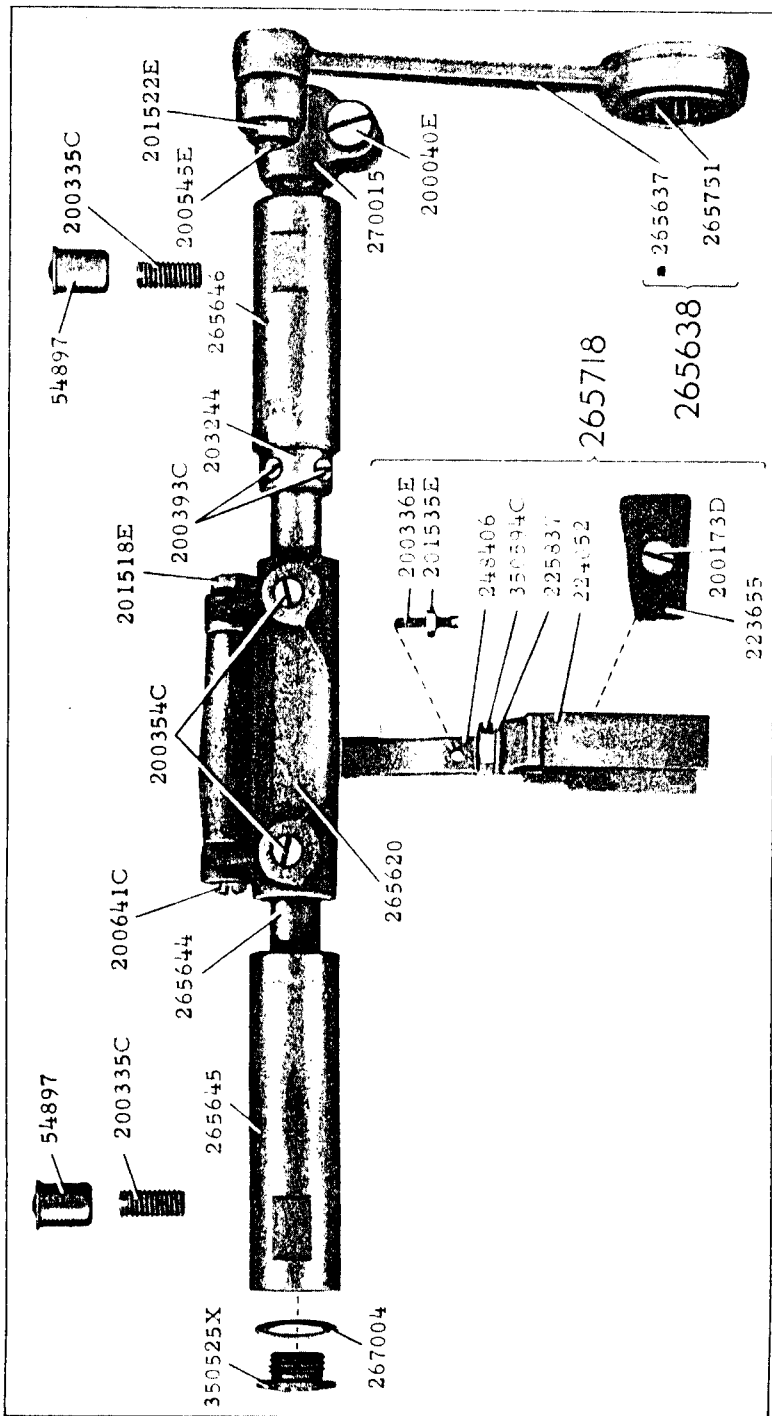


<p>265700-1/4-9/32-5/16-11/32                  265702-3/8-13/32-7/16                  265704-15/32-1/2-17/32</p>  <p>202923                  265699                  265701                  265703                  230795</p>	<p>265706-9/16-19/32-5/8                  265708-21/32-11/16-23/32                  265710-3/4-25/32-13/16</p>  <p>202923                  265705                  265707                  265709                  230795</p>	<p>265712-27/32-7/8-29/32                  265714-15/16-31/32-1</p>  <p>202923                  265711                  265713                  230795</p>
--	--	---

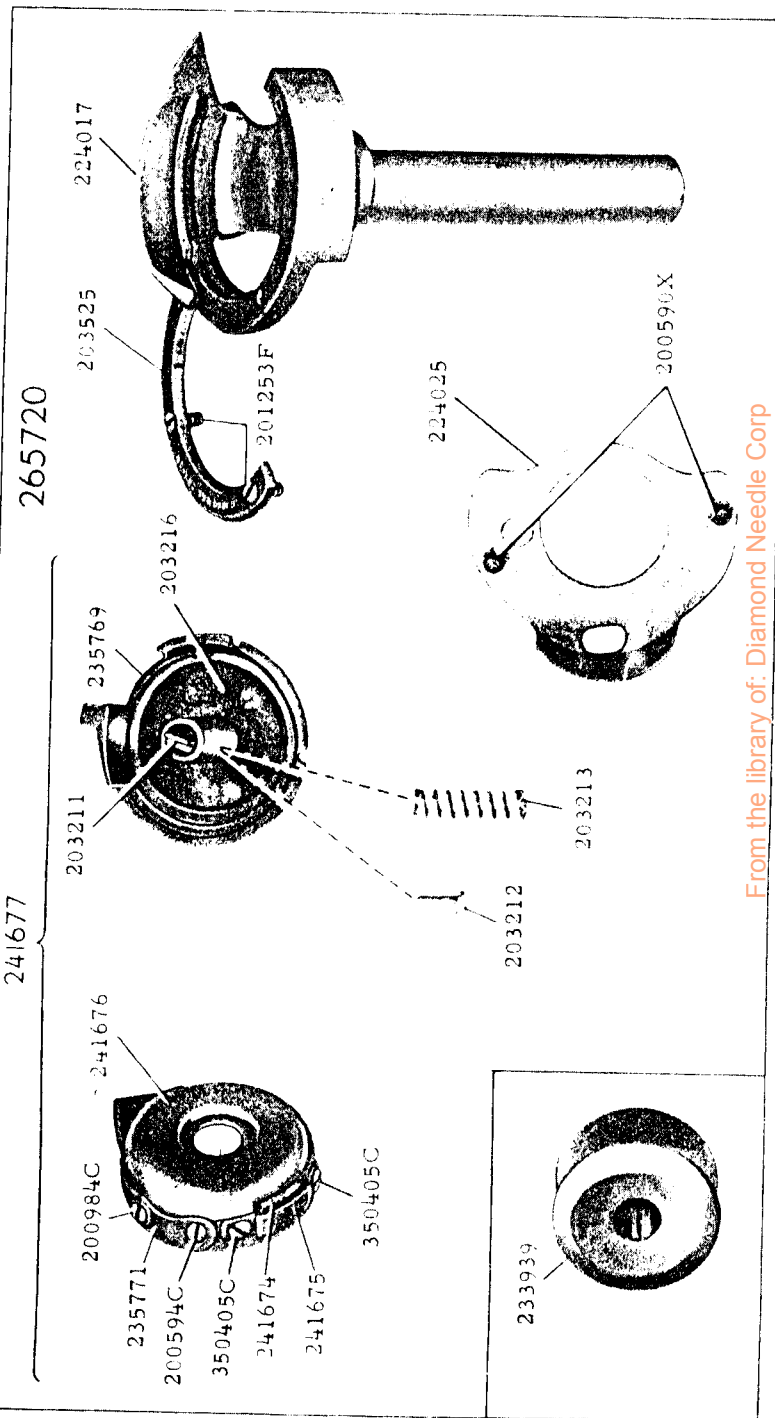




19110 - 5/8

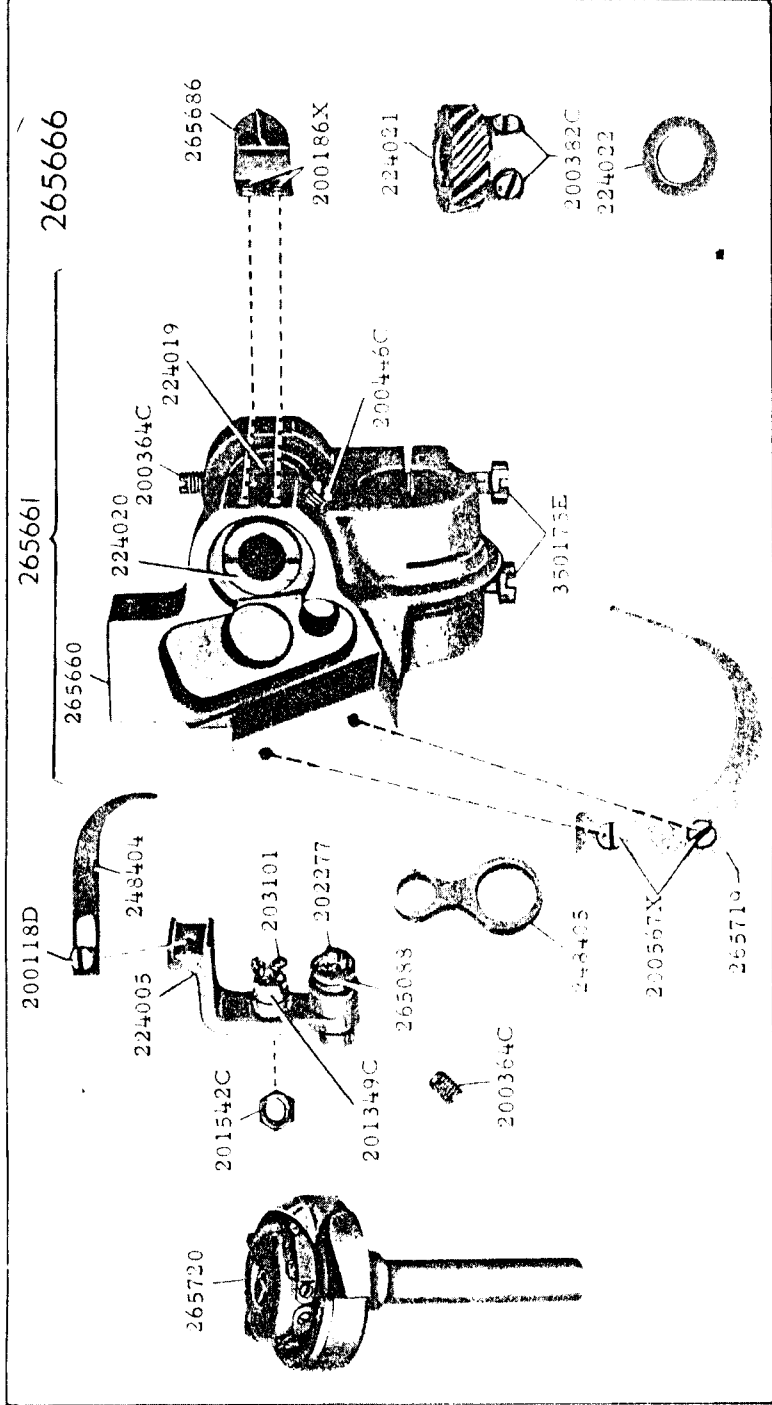


19111

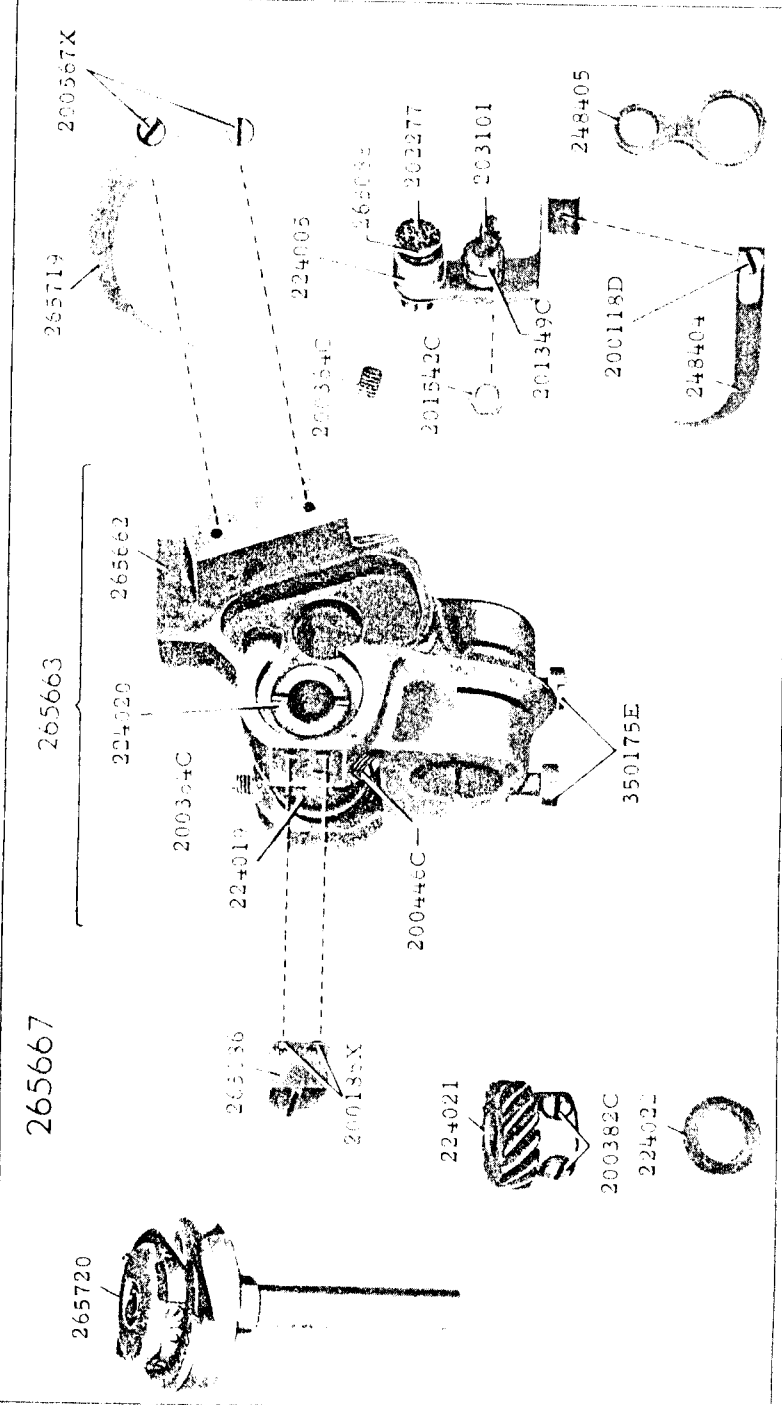


From the library of: Diamond Needle Corp

19113 - 5/8

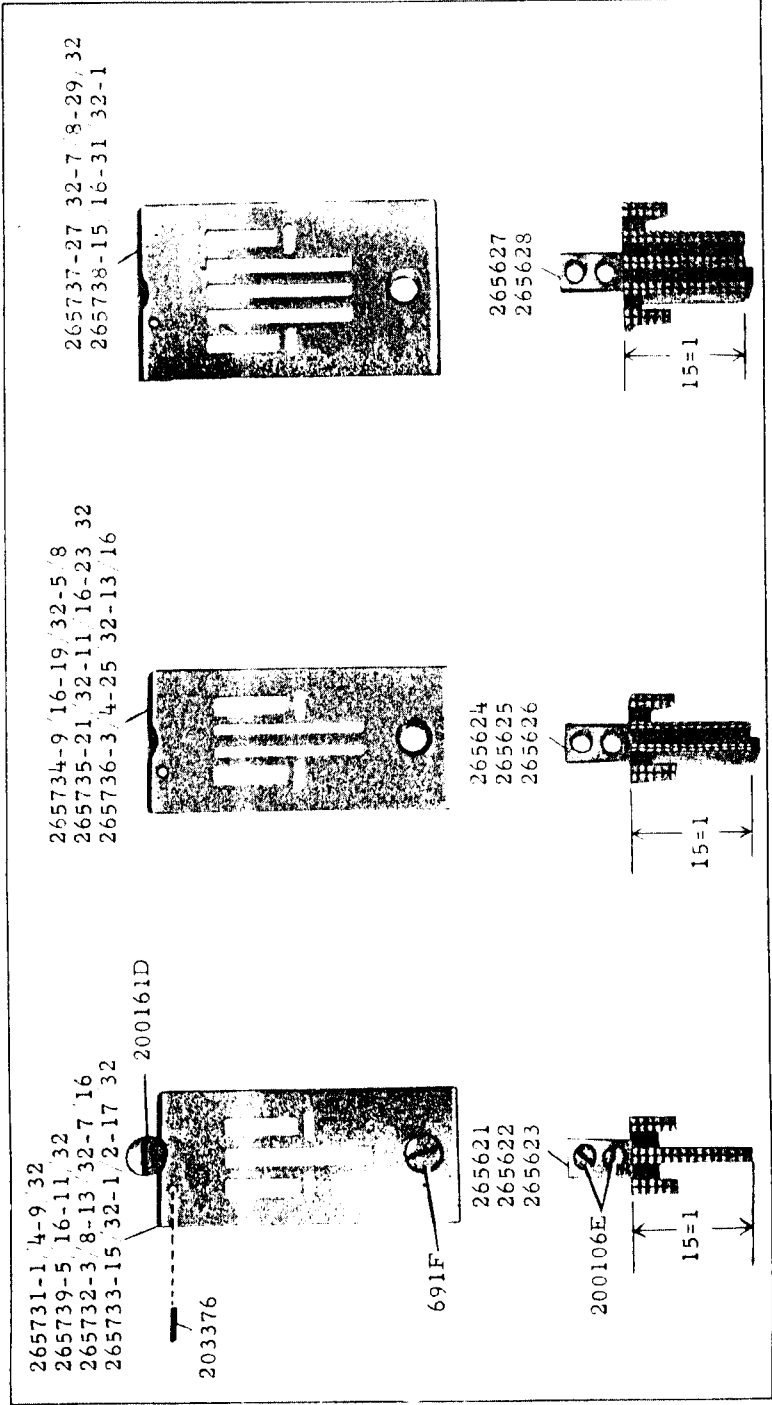


19114 - 5/8



From the library of: Diamond Needle Corp

19115 - 5/8



19116 - 1/2

